

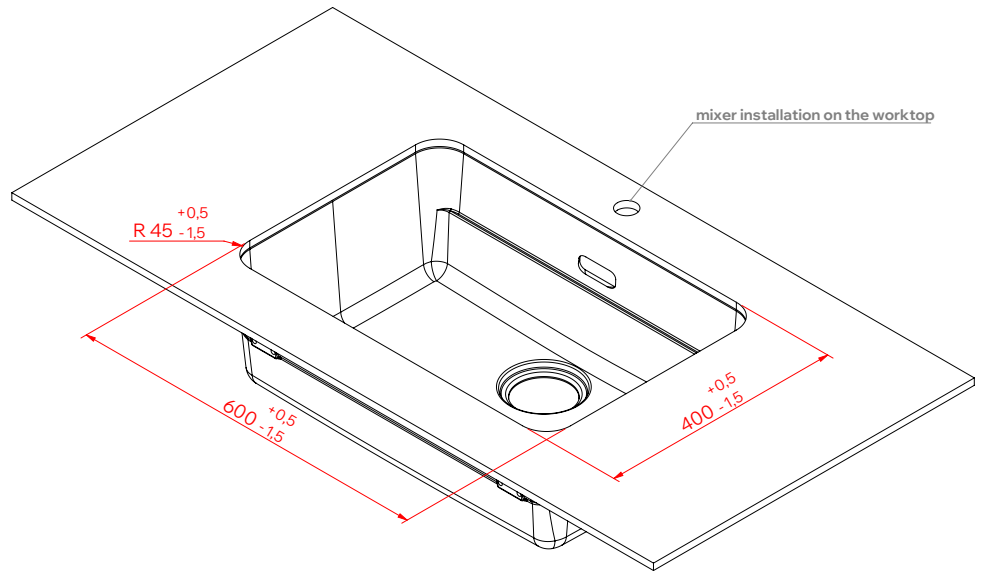
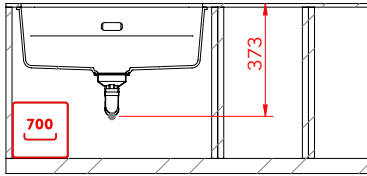
VIBRATO 60 DUALMOUNT

general tolerances where not expressly communicated $\pm 0,4\%$
 connection dimensions according to UNI EN 695
 eventual exception are reported with *

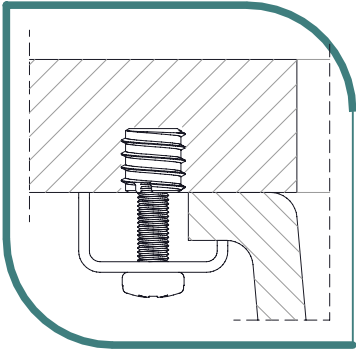
Data emissione disegno: 13/02/2026

Revisione disegno: O120-01DMS

elleci

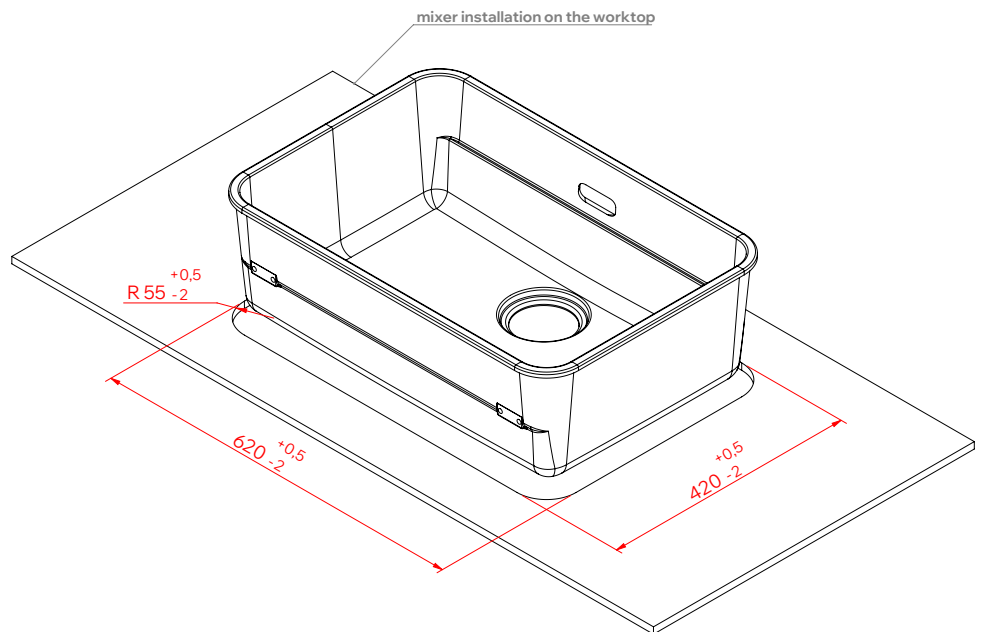
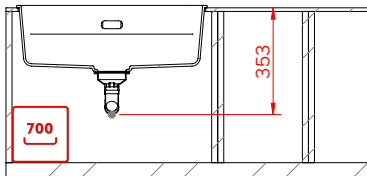


Fixing System

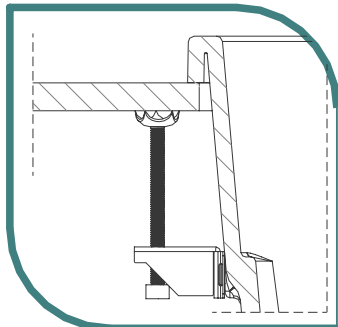


Undermount

elleci



Fixing System



Inset

elleci