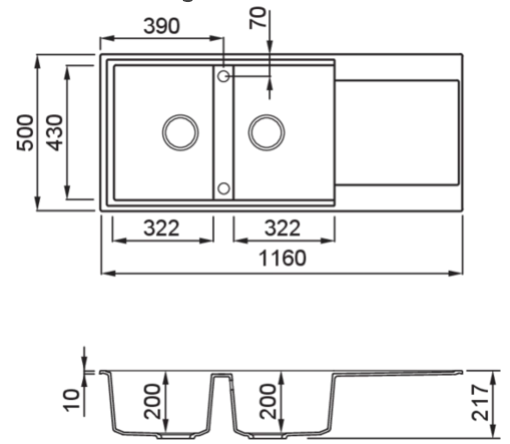


## PRISM 20



### Technical Drawing



0

**Description** 2-bowl sink with drainer

**Model** EASY 500

**Base (mm)** 800

**0** Inset

**Dimensions (mm)** 1160 x 500

**Hole for built-in installation (mm)** 1140 x 480

**Number of Bowls** 2

0

**Gross Weight (kg)** 23,44

**Net Weight (kg)** 16,90

**Packaging Dimension (kg)** 1250 x 575 x 300

**0 (kg)** 0,216



