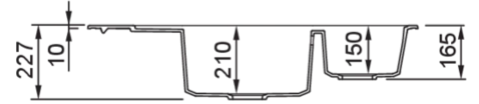
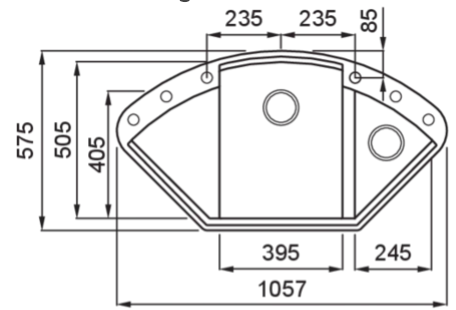




EASY 15 CORNER

Technical Drawing



0

Description	1½-bowl corner sink with drainer
Model	EASY CORNER
Base (mm)	Corner Base 800 if worktop minimum 650 mm Base 1200 if first component left Worktop minimum 650 mm Base 800 if first component right Worktop minimum 650 mm
0	Inset
Dimensions (mm)	1057 x 575
Hole for built-in installation (mm)	as per drawing
Number of Bowls	2

0

Gross Weight (kg)	20,86
Net Weight (kg)	14,10
Packaging Dimension (kg)	1120 x 650 x 300
0 (kg)	0,218



