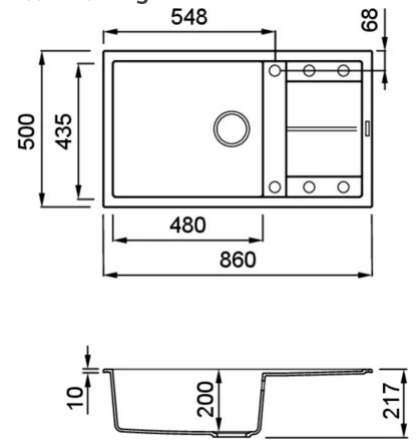




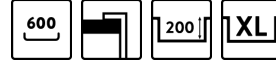
CLASS 10 XL

Technical Drawing



0

Description	1-bowl sink with drainer
Model	UNICO 410
Base (mm)	600
0	Inset
Dimensions (mm)	860 x 500
Hole for built-in installation (mm)	840 x 480
Number of Bowls	1
Bowl Depth (mm)	200



0

Gross Weight (kg)	17,70
Net Weight (kg)	12,00
Packaging Dimension (kg)	940 x 575 x 300
0 (kg)	0,162

