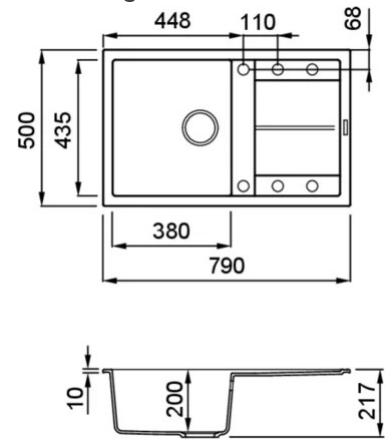




CLASS 10

Technical Drawing



0

Description	1-bowl sink with drainer
Model	UNICO 300
Base (mm)	500
0	Inset
Dimensions (mm)	790 x 500
Hole for built-in installation (mm)	770 x 480
Number of Bowls	1
Bowl Depth (mm)	200



0

Gross Weight (kg)	15,53
Net Weight (kg)	10,10
Packaging Dimension (kg)	870 x 575 x 300
0 (kg)	0,150

