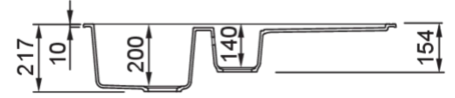
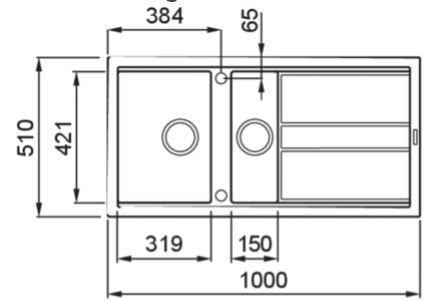




BEST 15

Technical Drawing



|                                            |                           |
|--------------------------------------------|---------------------------|
| 0                                          |                           |
| <b>Description</b>                         | 1½-bowl sink with drainer |
| <b>Model</b>                               | BEST 475                  |
| <b>Base (mm)</b>                           | 600                       |
| 0                                          | Inset                     |
| <b>Dimensions (mm)</b>                     | 1000 x 510                |
| <b>Hole for built-in installation (mm)</b> | 980 x 480                 |
| <b>Number of Bowls</b>                     | 1.5                       |
| 0                                          |                           |
| <b>Gross Weight (kg)</b>                   | 20,50                     |
| <b>Net Weight (kg)</b>                     | 13,90                     |
| <b>Packaging Dimension (kg)</b>            | 1080 x 575 x 300          |
| 0 (kg)                                     | 0,186                     |

