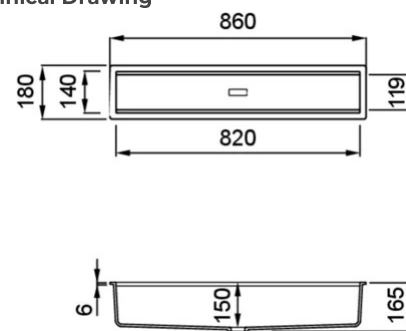


# CANALE



## Technical Drawing



0

<b>Model</b>	DIALOGO EQUIPPED TRACK
<b>0</b>	Inset, Undermount
<b>Hole for built-in installation (mm)</b>	850 x 170 R5 (Inset), 820 x 140 R4 (Undermount)
<b>Bowl Depth (mm)</b>	165